

OPX1000 Mounting Guide

19" Rack Installation

Document V1.2

Before you Start



1.1 Safety warning

1. An OPX1000 system may weigh up to 40 kg, depending on the installed components. Before lifting it, consult your local safety rules.
2. It is highly recommended to use two people for the installation.

1.2 Mounting Brackets Kit

Make sure that you have the following parts:

1. 1x left rack mounting bracket (MP0285).
2. 1x right rack mounting bracket (MP0286).
3. 2x mounting bracket rear plate (MP0179).
4. 2x mounting bracket front plate (MP0182).
5. 8x M6 cage nuts – Not needed in threaded racks (NT0010).
6. 4x M6 flat head screws (SC0044), not needed in threaded racks, use the rack-supplied screws.
7. 4x M6 pan head screws (SC0055), not needed in threaded racks, use the rack-supplied screws.

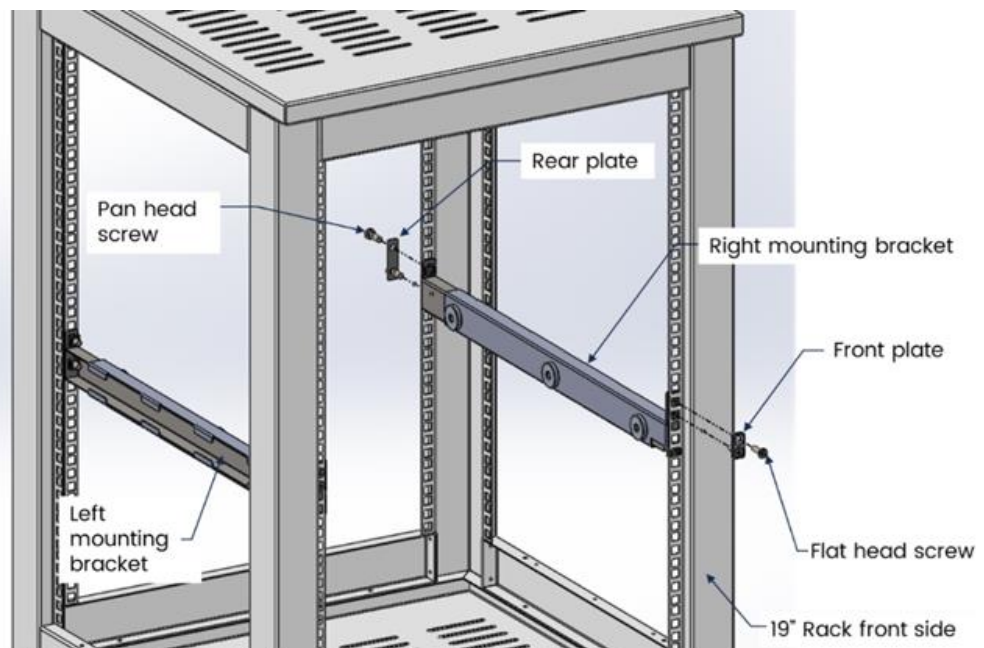


Figure 1: Rack Mounting Kit Main Components

Installation Process

1. **Preparation:** If the rack does not have threads, install four cage nuts on the inner side of each mounting bracket: two in the front and two in the back.
2. **Adjust Right Mounting Bracket:** Slide the right mounting bracket to adjust the size of the rack (the depth is adjustable between 500 to 900mm).
3. **Position Mounting Brackets:** Place the mounting brackets in the appropriate location in the rack.

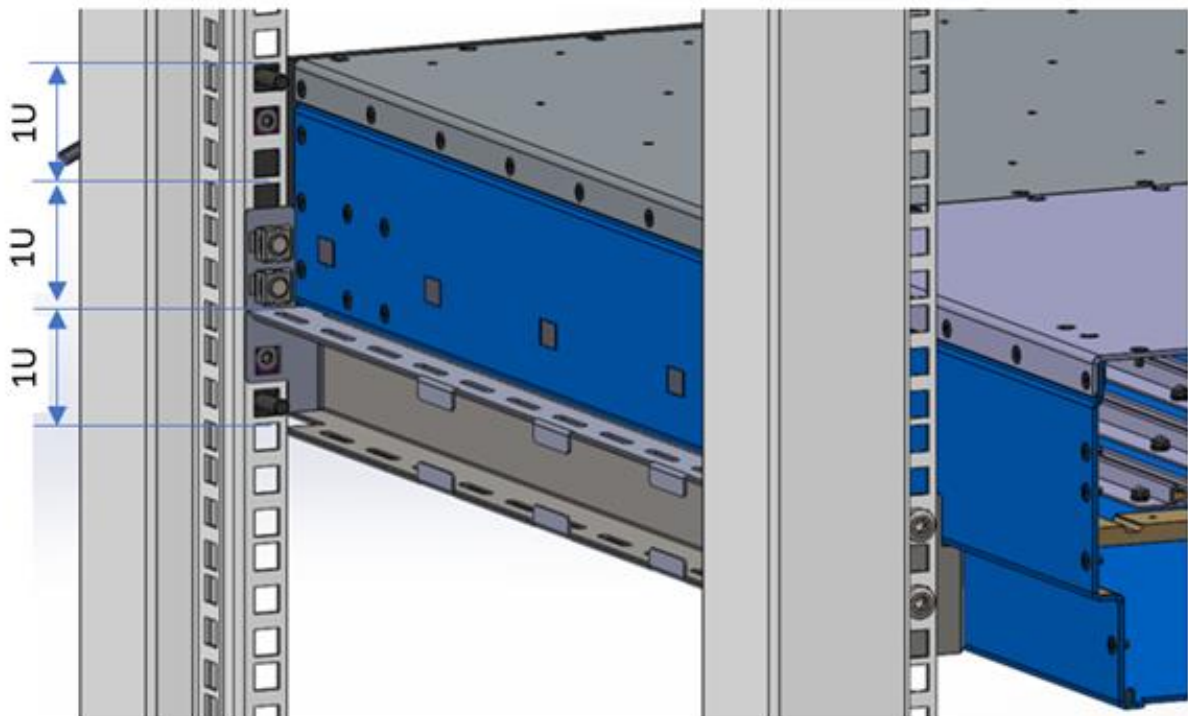


Figure 2: mounting brackets positioning

4. **Secure Brackets Front side:** Use 2x M6 flat head screws to secure the front plate. (If the rack has threads, use matching flat head screws).
5. **Secure Brackets Rear Side:** Use 2x M6 pan head screws to secure the rear plate. (If the rack has threads, use matching pan head screws)
6. **Tighten Right Mounting Bracket:** Secure the right mounting bracket by tightening the screws from both sides. Gently push it outwards (to the right) as you tighten.

7. **Repeat for Left Mounting Bracket:** Repeat steps 2-6 to mount the left mounting bracket.
8. **Mount OPX1000:** Once the brackets are firmly installed and secured, gently lift and slide the OPX1000 onto them. Be aware of the heavyweight. Note that some force needs to be applied.
9. **Secure OPX1000:** Secure the OPX1000 using four screws (not supplied) to the front panel.

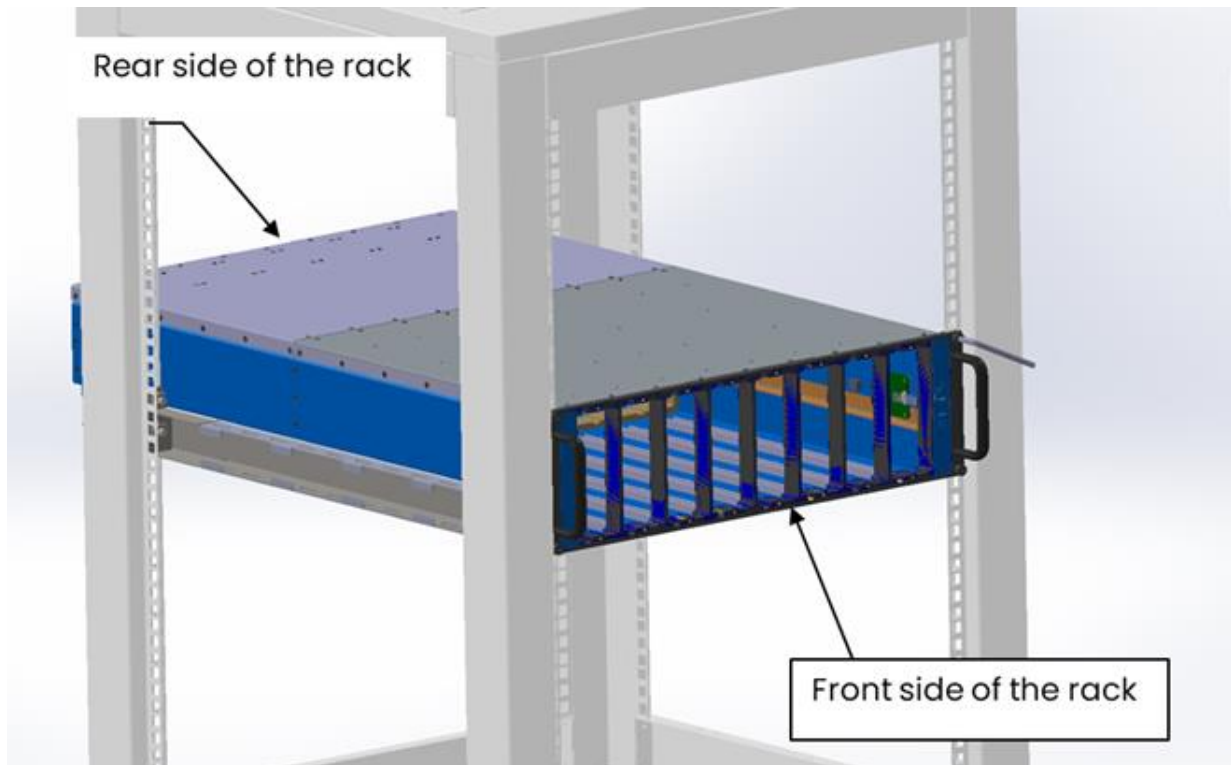


Figure 3: Mounted OPX1000 chassis

Contact Us

For installation issues and assistance, please contact Quantum Machines support. See the documentation website at <http://docs.quantum-machines.co/> for up-to-date support information.